

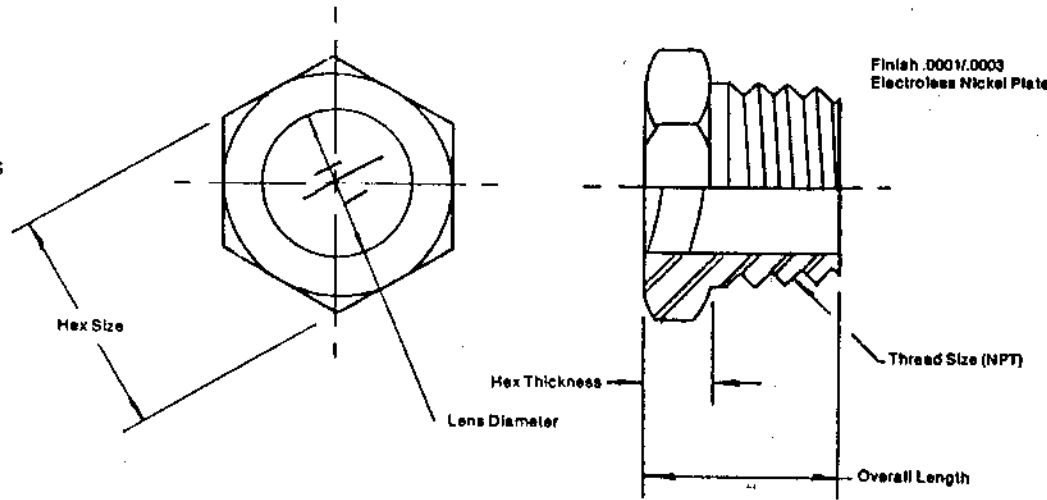


# SIGHT GLASS WINDOWS/HEX STYLE

## Clear Lens Model

Replace those obsolete gasket type sight glass assemblies with hermetically sealed sight glass windows and take advantage of their many inherent features:

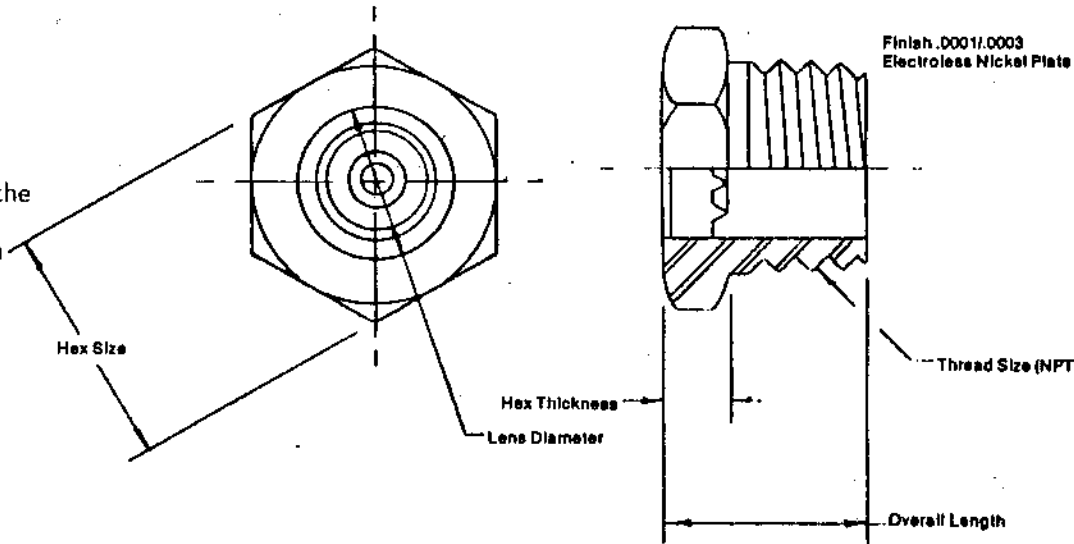
- Attractive Pricing
- Lower Installation Costs
- Leakproof Service
- Greater Mechanical Strength
- One-piece Construction



## Prism Lens Model

The prism lens has circular "Vee" shaped grooves moulded into the glass lens during the hermetic sealing process. The reflective surfaces of these grooves will reflect light in the absence of any liquid. Therefore, low liquid level conditions are readily detected.

For better liquid level indication, specify prism lens style, sight glasses.



## HEX STYLE SPECIFICATIONS

Model No./Clear Lens Model No./Prism Lens	P-1030-1 P-1022-1	P-1030-2 P-1022-2	P-1030-3 P-1022-3	P-1030-4 P-1022-4	P-1030-5 P-1022-5	P-1030-6 P-1022-6	P-1030-7 P-1022-7	P-1030-8 P-1022-8
Thread Size	1/4-18	1/4-18	1/2-14	3/8-14	1-11 1/2	1 1/2-11 1/2	1 1/2-11 1/2	2-11 1/2
Lens Diameter	.343	.437	.562	.750	.937	1.187	1.437	1.875
Overall Length	3/8	1/2	5/8	3/4	1 1/8	1 1/2	1 3/4	1 3/4
Hex Size	3/8	1/2	3/4	1 1/8	1 1/4	1 1/2	2	2 1/2
Hex Thickness	1/8	1/4	1/2	3/8	1/2	3/4	1 1/4	1 1/2
Max. operating pressure (psi)	1000	925	875	750	625	500	375	250