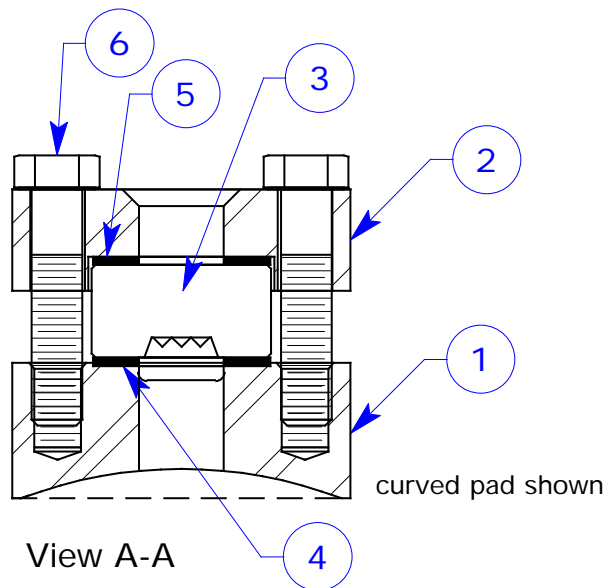
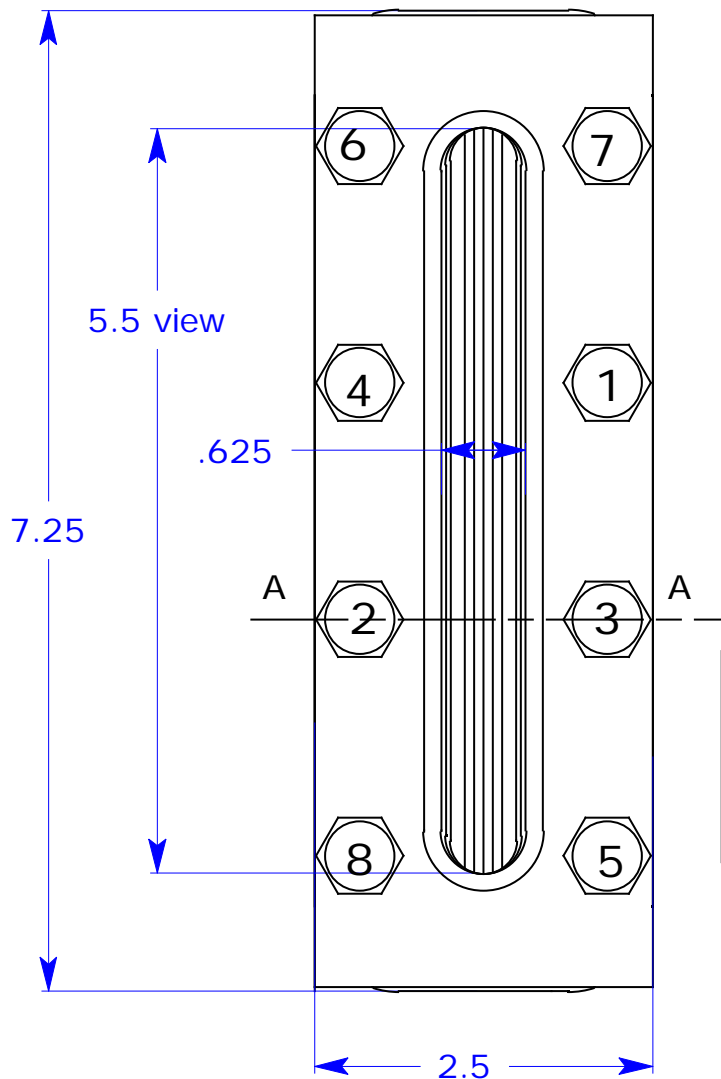


Rated to 400 PSI /F.V. @ 400°F



Item	Description	Qty
1	Pad	1
2	Cover	1
3	Lens, Size B3, tempered borosilicate	1
4	Seal, 1/16 Thick, Gylon 3504 (TFE), BLUE	1
5	Cushion, 1/16 Thick, non-asbestos, GREEN	1
6	Cap Screw, 3/8-16 x 1-3/4", A193 B7	8

Bolt Torque: 20 Ft. Lbs (lubricated)—  
follow sequence

MODEL NO.	PAD	COVER	CURVING
RW3D	T304	C.S.	6" Pipe
RW3DD	T304	T304	6" Pipe
RWDA	T304	C.S.	Flat
RW3DF		same as RW3DA	
RW3E	T316	C.S.	6" Pipe
RW3EE	T316	T316	6" Pipe

Ref  
M98973-14 Rev Ø  
4-30-98  
Low Pressure Weld Pad Assembly, Series RW3\_  
INFERNO MFG. CORP.