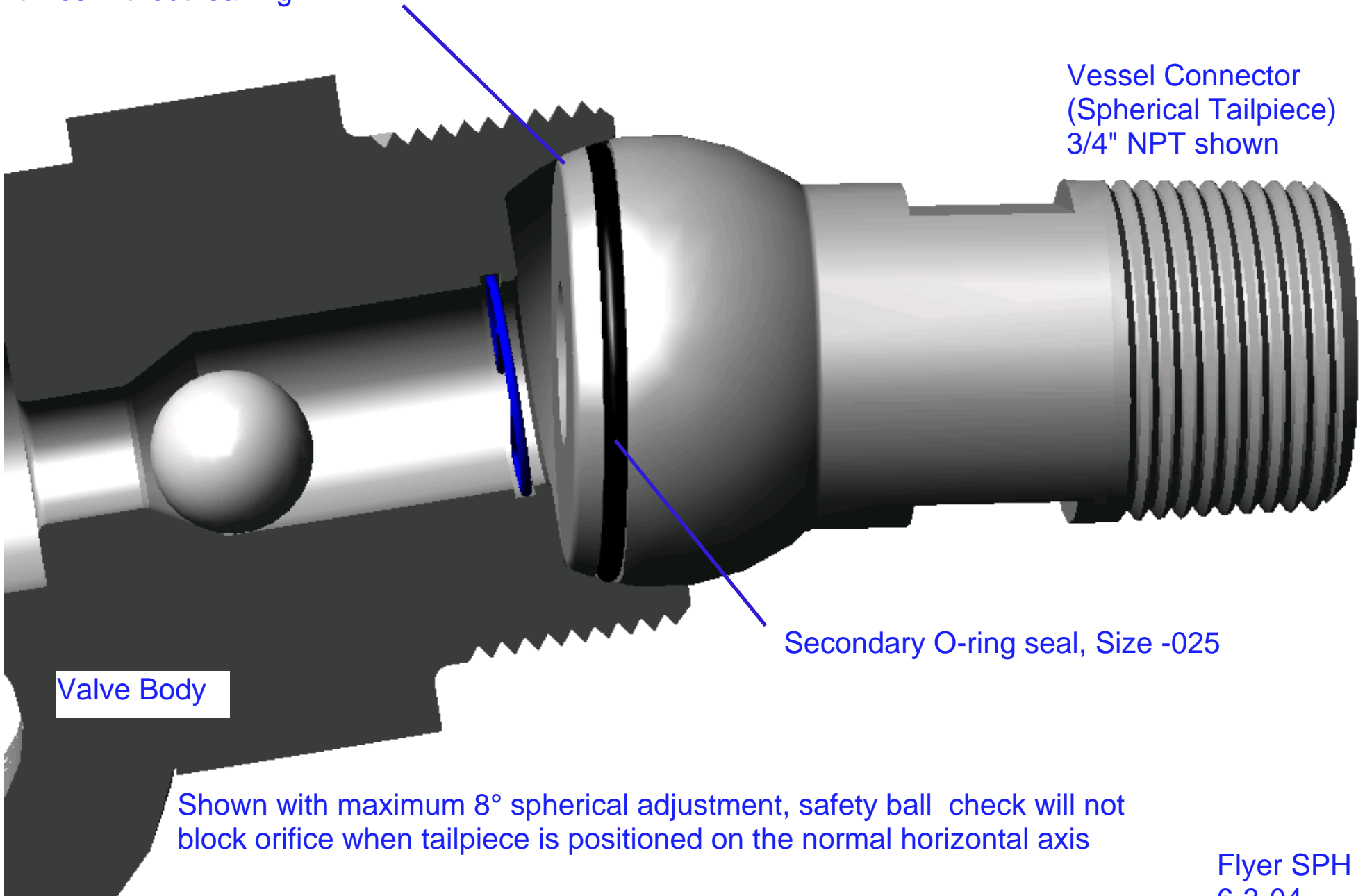


Matching spherical surfaces create metal-to-metal seal without leaving permanent scar; joint may be re-positioned multiple times without leaking

INFERNO SPHERICAL UNION

Vessel Connector
(Spherical Tailpiece)
3/4" NPT shown



Secondary O-ring seal, Size -025

Valve Body

Shown with maximum 8° spherical adjustment, safety ball check will not block orifice when tailpiece is positioned on the normal horizontal axis