

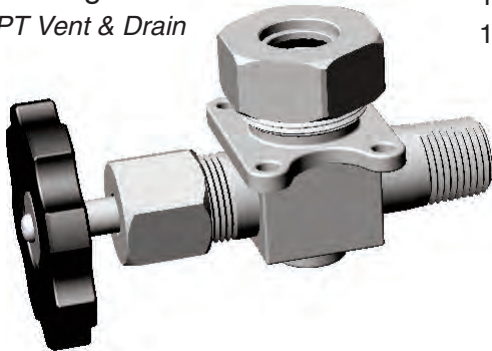
Tubular Gage Valves

5-26-15

Straight Pattern

1/2" M-NPT Vessel
5/8" Ø Stuffing Box
1/4" F-NPT Vent & Drain

Models
12T-CS
12T-SS



<http://www.infernomfg.com/PDF/12T.pdf>

Common Features Model 12T & FT-TUB:

- Viton™ O-Ring size -208
- NACE Conformance...
- Glass Length: C-C minus 2"



Fit with
Model TE Armored
Tubular Gage



←
or with 5/8" cut
glass length
and optional
expanded
metal guard

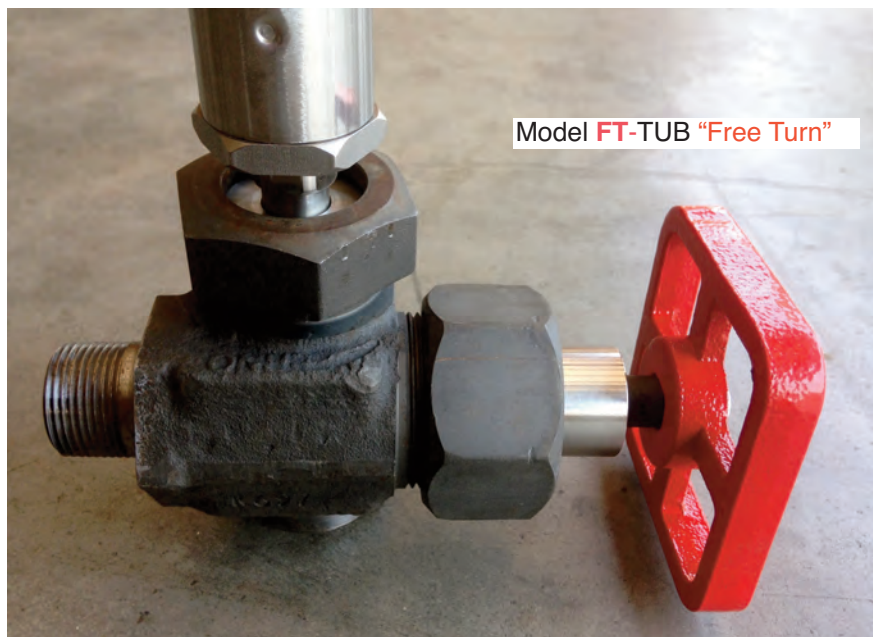
http://www.infernomfg.com/PDF/te_page.html

Offset Pattern- *allows brush access while valve closed*

3/4" M-NPT Vessel
5/8" Ø Stuffing Box
1/2" F-NPT Vent & Drain

Model FT "Free Turn" valve design
<http://www.infernomfg.com/PDF/FILL.swf>

Isolates the valve workings from salt water and H₂S — prevents internal corrosion that causes conventional valves to seize. Steel body and SS trim suitable for sour service.



Model FT-TUB "Free Turn"