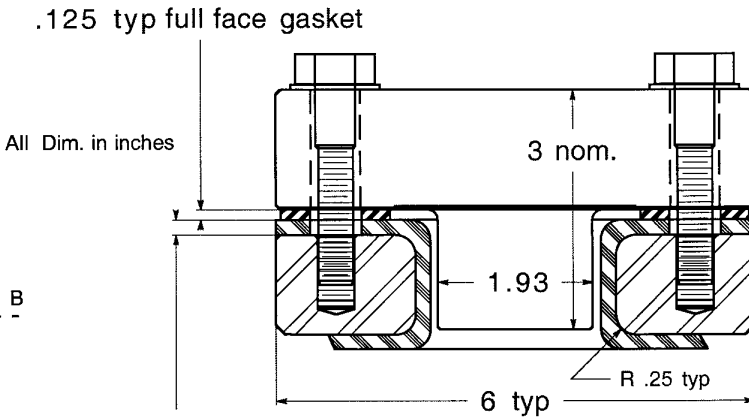


3 nom.  
1.25 typ  
2.1  
2.5 typ pad opening  
Pad length opening 11.5 typ; not shown  
View B-B shown with Flat Acrylic Lens (WPXR)



.125 typ full face gasket  
All Dim. in inches  
3 nom.  
1.93  
6 typ  
R .25 typ  
.187 typ rubber liner  
View B-B shown with optional T-style Acrylic Lens (WPXRT)

1/2-13 NC x 2.5 lg S.S. Hex hd. cap screws typ 16 places  
Ø 1-1/8 S.S. washers typ

**PRESSURE RATING**  
150 PSI @ 100°F  
100 psi @ 150°F

Inferno Mfg. Corp.  
WPXR, WPXRT 3-12 Obround Series ;  
Assembly shown with rubber liner  
Dwg: A97959-1a  
Rev. A Rev. Date: 8/17/02  
Created: 1/27/99  
Drawn by: JK  
Appvd. by: AO