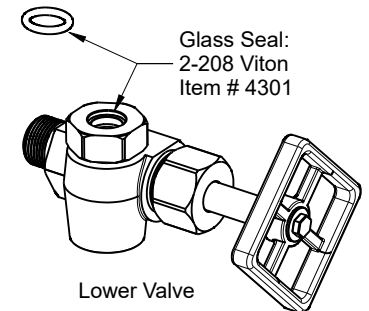
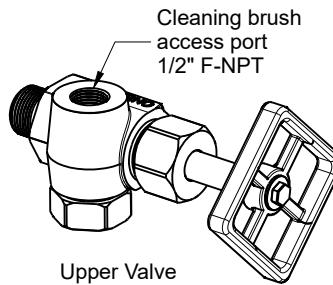
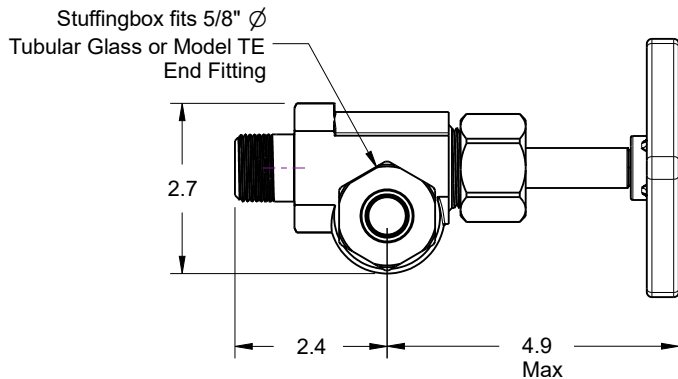
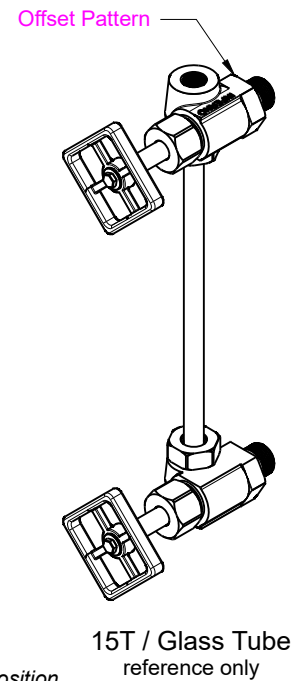
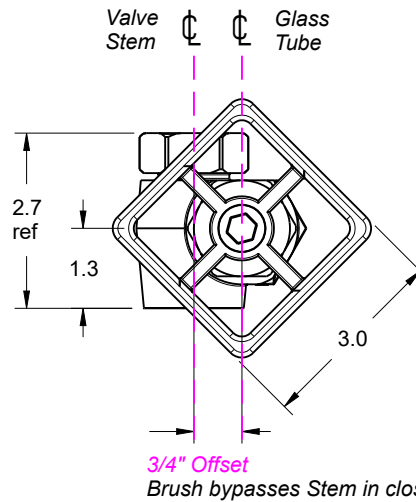
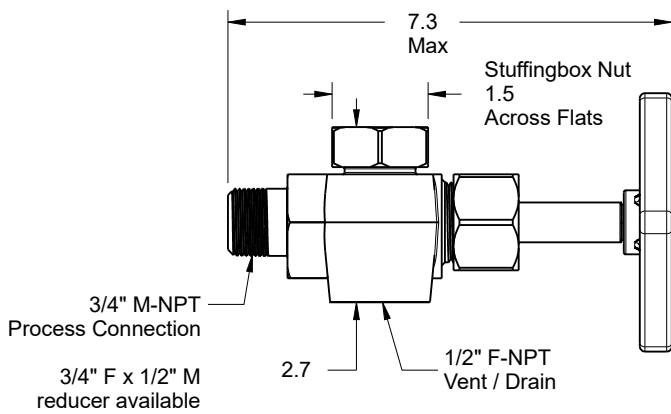


Model 15T

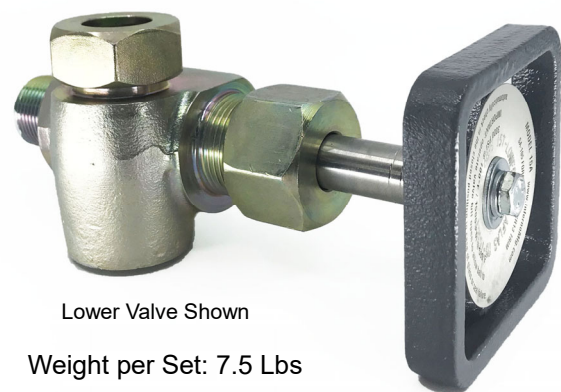
Tubular Glass Gage Valve

Offset Pattern



Design Detail

- * For use with 5/8" O.D. glass tube or Model "TE" sight glass
- * Forged Steel Construction, SS trim suitable for sour service
- * Features Safety Ball Checks in case of glass breakage
- * Offset Pattern allows cleaning brush access through valve body with valve stem closed
- * Easy glass seal replacement, Viton O'ring (400° F)
Options: TFE, Buna, Aflas, Kalrez
- * Pressure rating limited by glass length, service & temperature
- * Glass tube and Model TE length = C-C less 1.625" \pm .125
- * All tubular gage valves sold in match sets: Upper & Lower



Weight per Set: 7.5 Lbs

Reference Documents

[Hail Guard - Expanded Metal](#)

[Model TE](#)



Inferno Manufacturing Corporation

115 Ricou St. Shreveport, LA USA 71107

T (318) 221-8454 F (318) 222-4106

inferno@infernomfg.com

Drawing No: **15T**

Drawing Date: 7/15/2020

Revision: A

Rev Date: 2/3/2022

© 2020 Inferno Mfg Corp

Sheet: 1/1