

Typical
3/4 NPS

8" Spherical (Std)
Sxx = .085 in³

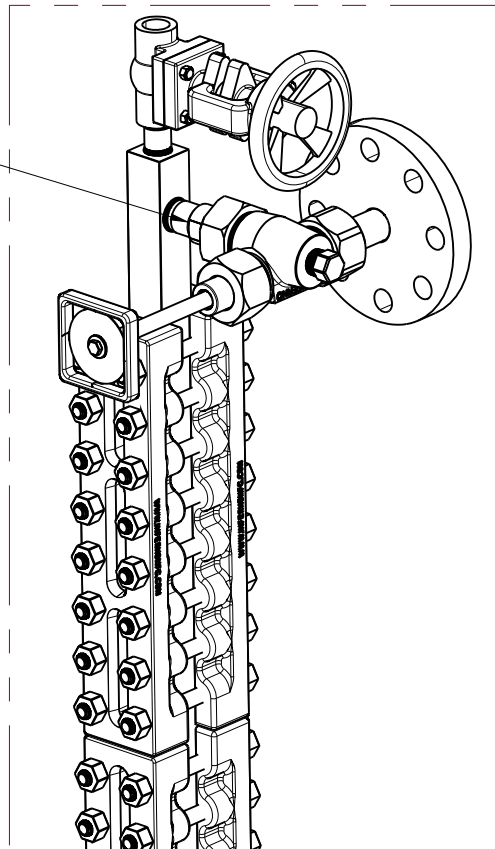
4" Spherical
Sxx = .107 in³

Detail B

Recommended
3/4" NPT

FT25
Sxx = .110 in³

FT15
S160 TBE
Sxx = .100 in³



Detail A

Example T100-69 BAB

Estimated weight with valves: 222 lbs.



Inferno Manufacturing Corporation

115 Ricou St. Shreveport, LA USA 71107

T (318) 221-8454 F (318) 222-4106

inferno@infernomfg.com

Long and Heavy Level Gage

Drawing No: A202103

Aprvrd Date: 11/14/2020

Drawing Date: 11/14/2020

Revision: 0

Drawn by: TB

Rev Date: N/A

Approved by: AO

© 2020 Inferno Mfg Corp