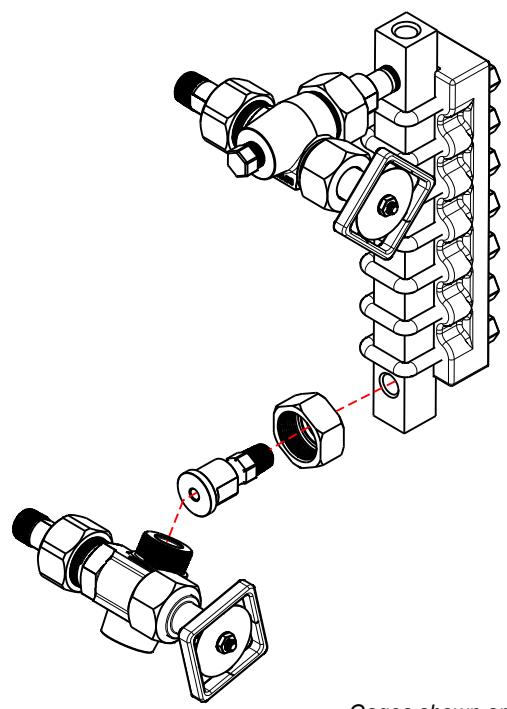
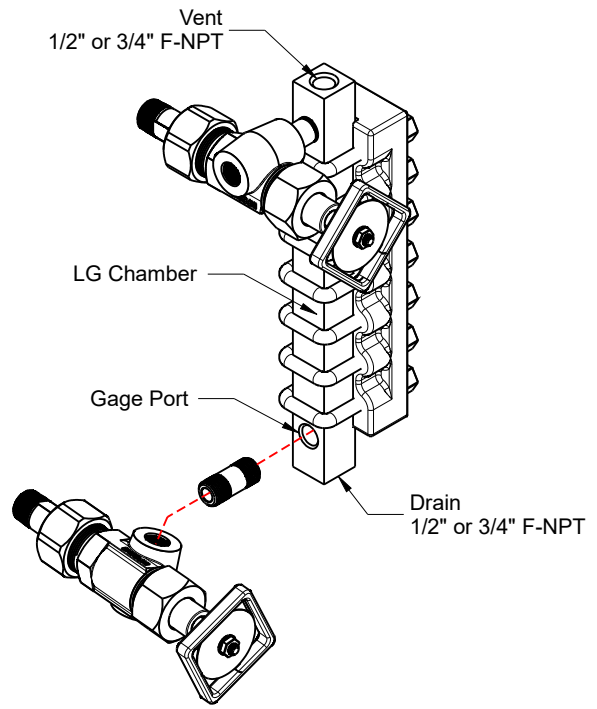


Side Connected LG

Single Union Valve

Double Union Valve

Back Connected LG



Continued on page 2

Gages shown are Reflex type (R100)

Reference Drawing: GA.ASSY1
 Level Gage 9-Letter model number system

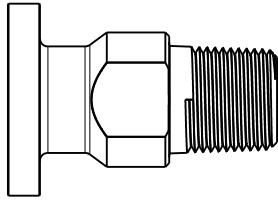


Inferno Manufacturing Corporation
 115 Ricou St. Shreveport, LA USA 71107
 T (318) 221-8454 F (318) 222-4106
 inferno@infernomfg.com

Level Gage / Gage Valve Connections Side / Back Connected Gages	
Drawing No: A212153	Aprvd Date: 3/11/2021
Drawing Date: 3/11/2021	Revision: 0
Drawn by: TB	Rev Date: N/A
Approved by: AO	© 2021 Inferno Mfg Corp

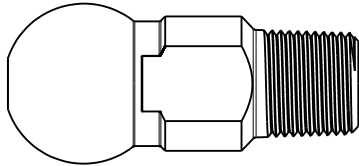
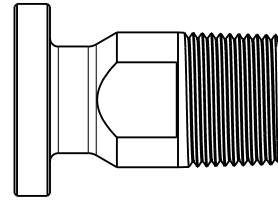
Vessel Connector (NPT)
 "Floating Shank"
 aka Tail Piece or Tail Pipe

1/2" NPT

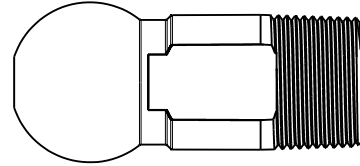


Flat Union

3/4" NPT



Spherical Union

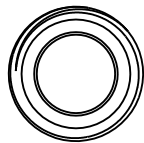
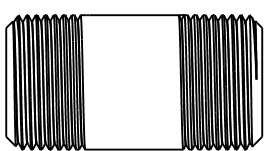


Gage Connectors / Piping

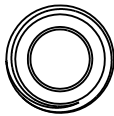
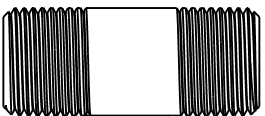
FT15 Single Union

Threaded Both Ends (TBE)
 Sch 160 std.

3/4" NPS

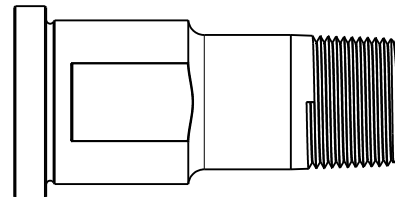


1/2" NPS

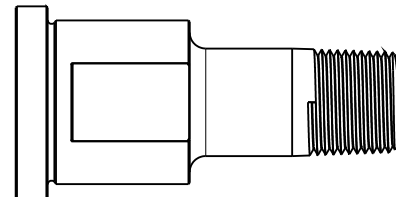


FT25 Double Union

Gage Connector - Male



3/4" NPT



1/2" NPT

Nipples in horizontal orientation for Close Hook-Up
 Gages are always supplied as Sch 160

Reference Drawing: GA.ASSY1

Level Gage 9-Letter model number system



Inferno Manufacturing Corporation

115 Ricou St. Shreveport, LA USA 71107

T (318) 221-8454 F (318) 222-4106

inferno@infernomfg.com

Level Gage / Gage Valve
 Connections
 Close Hook-UP "CH" Style Gages

Drawing No: A212153

Apprvd Date: 3/11/2021

Drawing Date: 3/11/2021

Revision: 0

Drawn by: TB

Rev Date: N/A

Approved by: AO

© 2021 Inferno Mfg Corp