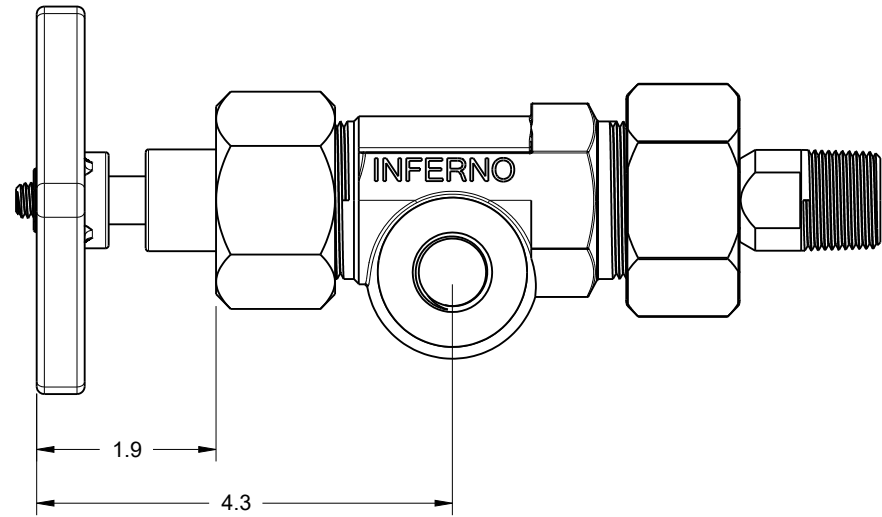


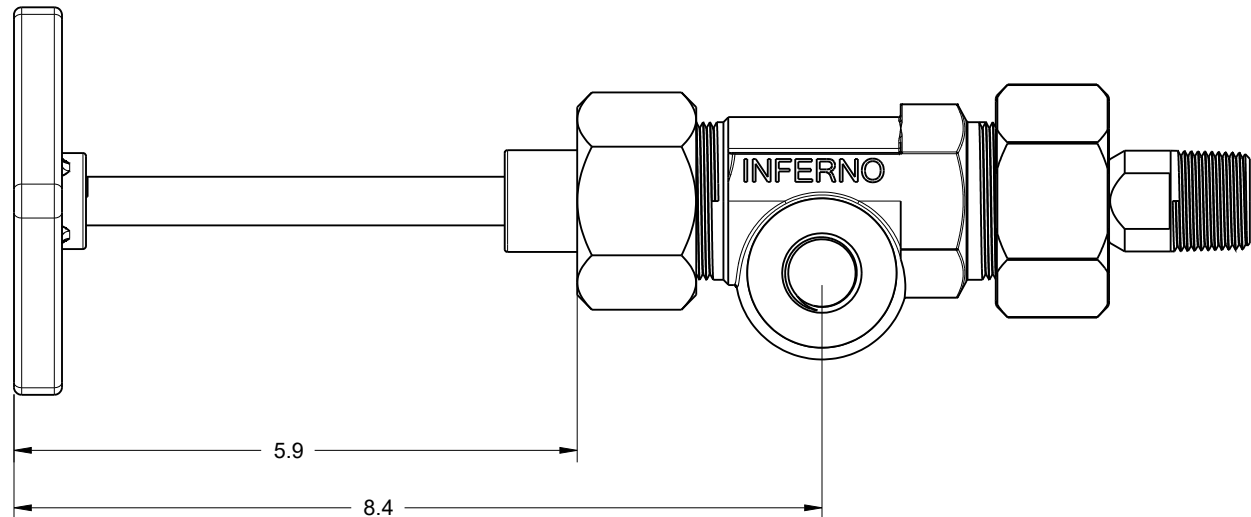
Standard Stem



Long Stem

- * Long stems may be used for cold process applications - to accommodate insulation
- * Use Long Stems when Non-Frost extensions are required

https://www.infernomfg.com/PDF/Non-Frost_Extension_Assembly_Steps.pdf



Note:

1. All dimensions shown are with valve in closed position.



Inferno Manufacturing Corporation
115 Ricou St. Shreveport, LA USA 71107
T (318) 221-8454 F (318) 222-4106
inferno@infernomfg.com

Model FT Valve Stem Length:
Standard vs Long

Drawing No: A232345
Drawing Date: 2/22/23
Drawn by: TB
Approved by: AO

Apprvd Date: 2/22/23
Revision: 0
Rev Date: N/A