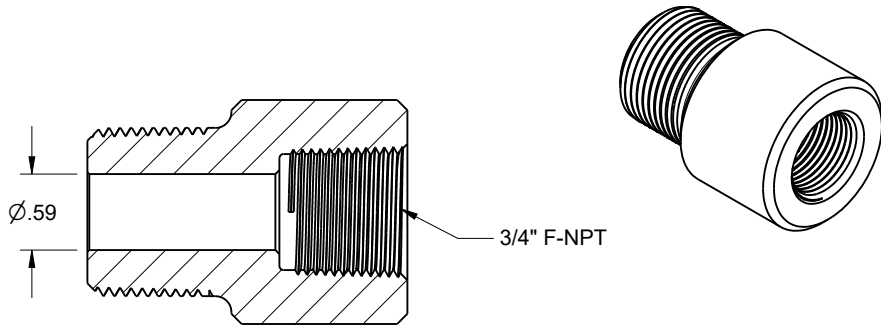
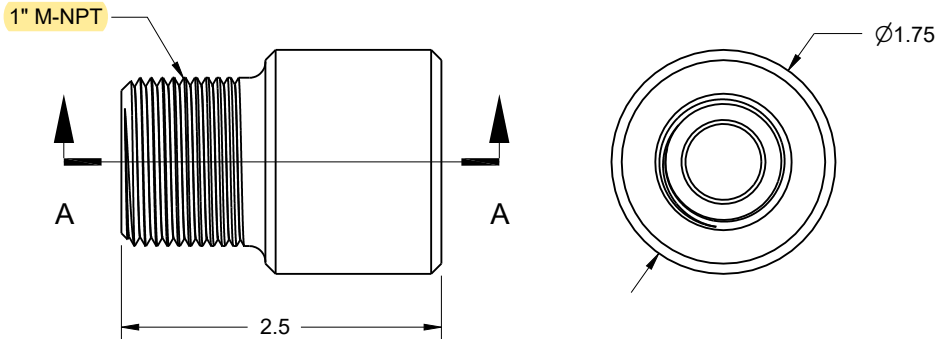


3/4" F-NPT x 1" M-NPT

For use with: FT15, FT25, FT-TUB, 15A, & 15T valves

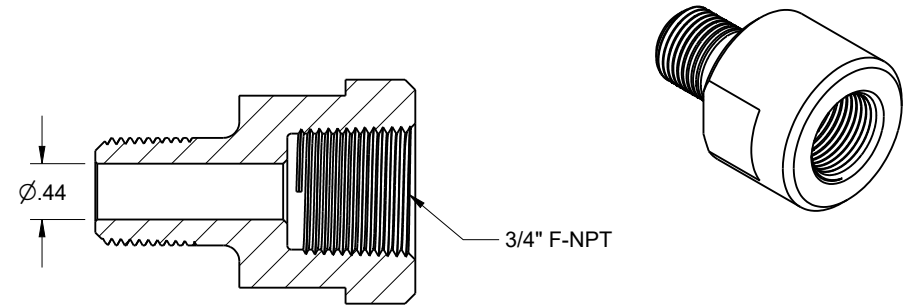


Section A-A

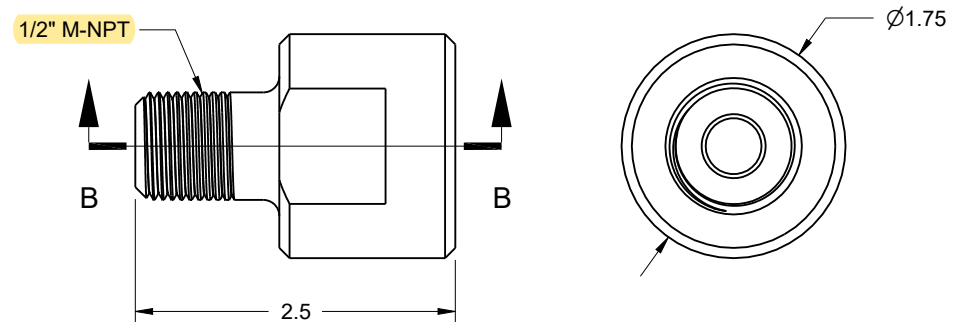


3/4" F-NPT x 1/2" M-NPT

For use with: FT-TUB & 15T valves



Section B-B



1. Materials available: Carbon Steel: A350 Gr LF2
Stainless Steel SA-479 T316

This drawing is the property of Inferno Mfg. Corp.
and may not be reproduced without permission.



Inferno Manufacturing Corporation
115 Ricou St. Shreveport, LA USA 71107
T (318) 221-8454 F (318) 222-4106
inferno@infernomfg.com

Male NPT Adapters

Drawing No: A232443	Apprvd Date: 10/19/2023
Drawing Date: 10/19/2023	Revision: 0
Drawn by: TB	Rev Date: N/A
Approved by: AO	

© 2023 Inferno Mfg Corp