

Level Gage (LG) — Gage Valve (GV) Orientation

LG End Connected GV Single Union

- * Specify assembly orientation at time or order
- * Change L to R orientation in field by flipping assembly (nameplate inverts)

Reflex [GA.RS4-2-L](#)
Transparent [GA.TS4-2-L](#)

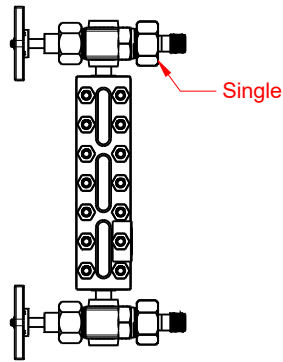


Fig. 4-2-L

Reflex [GA.RS4-1](#)
Transparent [GA.TS4-1](#)

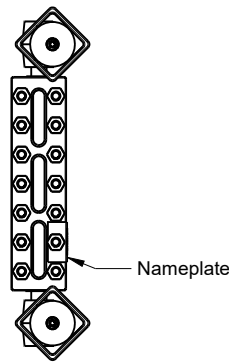


Fig. 4-1

Reflex [GA.RS4-2-R](#)
Transparent [GA.TS4-2-R](#)

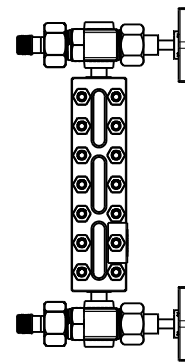


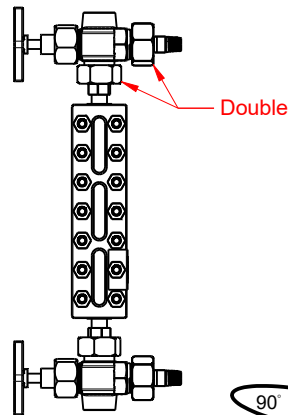
Fig. 4-2-R

Minimum Valve Centers
End Connected

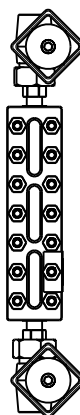
Reflex [GA.RD - SWIVEL](#) / Transparent [GA.TD - SWIVEL](#)

LG End Connected GV Double Union

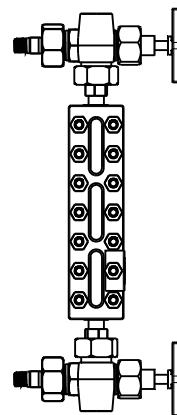
- * Swivel Unions allow for 360° rotation of valve in field



Position 2
Fig 4-4-L



Position 1
Fig. 4-3



Position 3
Fig. 4-4-R

Minimum Valve Centers
End Connected

LG Close Hook-Up "CH" GV Single or Double Union

- * Offers longest visible glass length
- * Spherical unions overcome misalignment
- * Change L to R orientation in field by flipping assembly (nameplate inverts)
- * Operator will be unable to adjust C-C in field by changing length of connecting nipples
- * "CH" gages are special order to match vessel C-C

Side Connected

[GA.RS5-3-L](#) Reflex
[GA.RD5-3-L](#)
[GA.TS5-3-L](#) Transparent
[GA.TD5-3-L](#)

[GA.RS5-3-R](#)
[GA.RD5-3-R](#)
[GA.TS5-3-R](#)
[GA.TD5-3-R](#)

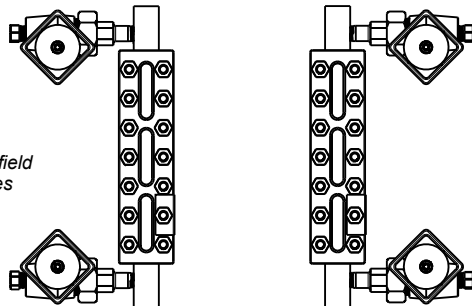


Fig. 5-3-L

Fig. 5-3-R

Back Connected

[GA.RS5-4-L](#) Reflex
[GA.RD5-4-L](#)
[GA.TS5-4-L](#) Transparent
[GA.TD5-4-L](#)

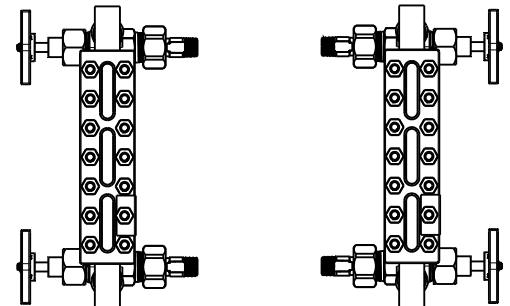


Fig. 5-4-L

Fig. 5-4-R

Minimum Valve Centers
Side or Back Connected

Reference Documents

LG: R100, T100, T200	Mat'l's MOC M191980
LG Model No. System	I.O.M.
Reflex or Transparent	Engineering Notes:
GV: FT15 / FT25 Brochure	EN.RT.S4 EN.RT.D4
FT "Free Turn" Advantages	EN.RT.S5 EN.RT.D5



Inferno Manufacturing Corporation
115 Ricou St. Shreveport, LA USA 71107
T (318) 221-8454 F (318) 222-4106
inferno@infernomfg.com

Drawing No: GA.ASSY1
Drawing Date: 6/21/2019
Revision: C
Rev Date: 9/3/2020
© 2020 Inferno Mfg Corp