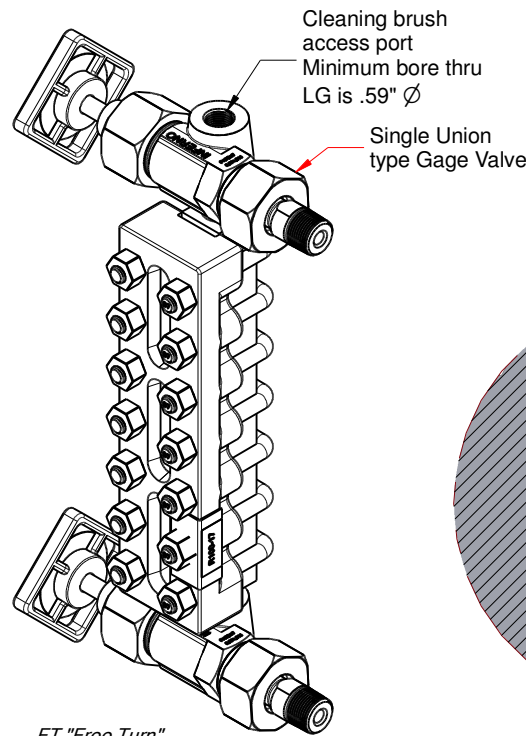
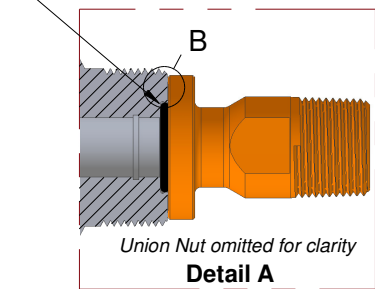
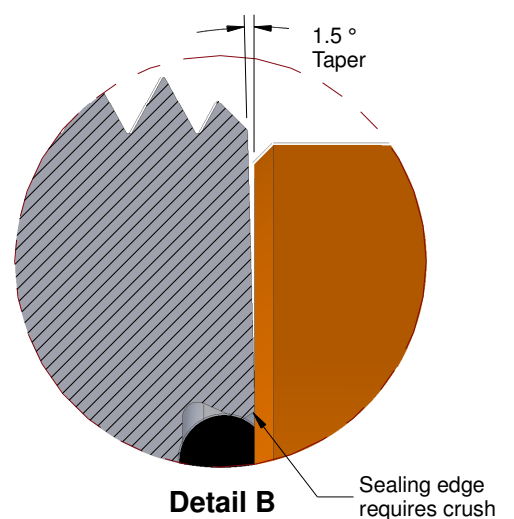


Secondary Seal: Static O'ring



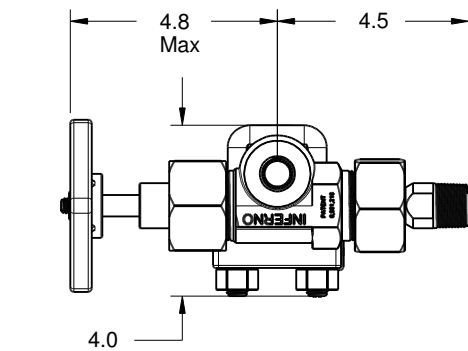
FT "Free Turn"
Patent 6,991,216

Primary Seal: Metal to Metal



Reference Documents:

EN.RT-S4, Eng. Notes
M991980, MOC



General Arrangement Drawing
Level Gage & Gage Valve Combo

Reflex Style: R100 / R200
Level Gage, End Connected
Gage Valves, Single Union: FT15 / 15A
Assembly Orientation: Fig. 4-2-L

All dimensions in Inches

Inferno Manufacturing Corporation

115 Ricou St. Shreveport, LA USA 71107
T (318) 221-8454 F (318) 222-4106

<http://www.infernomfg.com/>

inferno@infernomfg.com

Drawing No: **GA.RS4-2-L**

Drawing Date: 7/4/2019

Revision: 0

Rev Date: N/A

© 2019 Inferno Mfg Corp

Sheet: 1/1