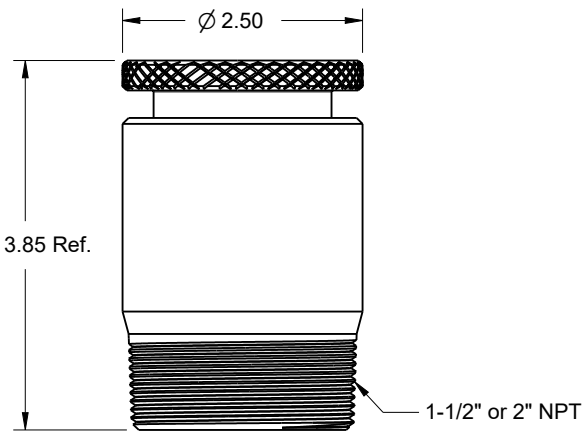
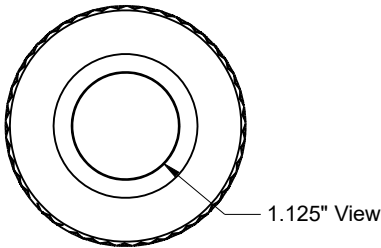
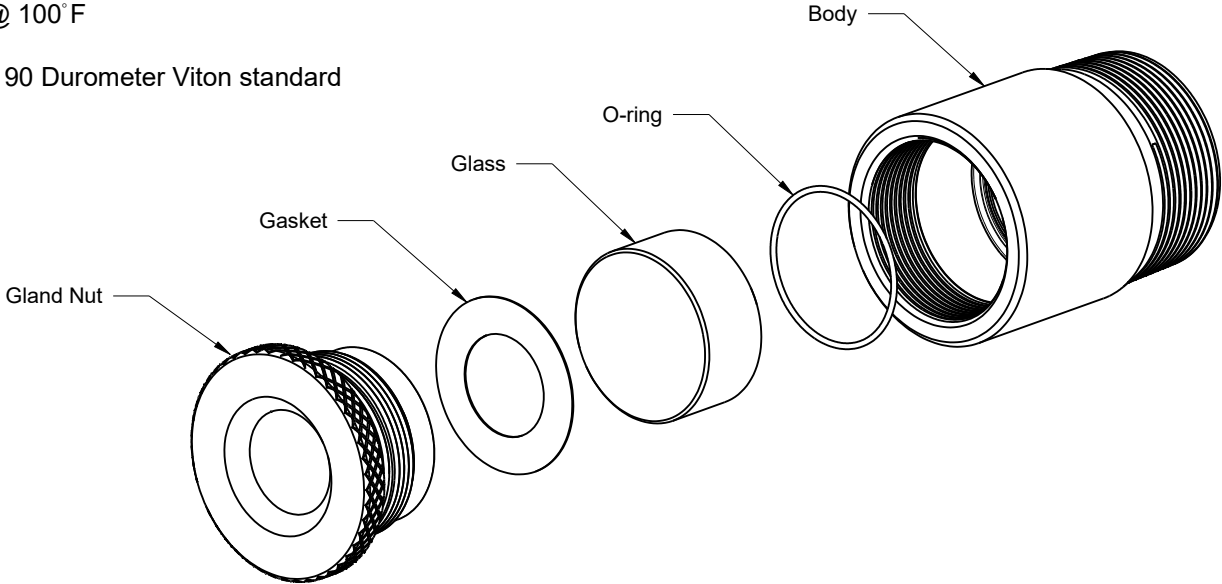


Bullseye Sight Glass

* Available in Carbon or Stainless Steel

* Rated 1500 PSI @ 100° F

* O-ring: Size -030, 90 Durometer Viton standard



Reference Documents



Inferno Manufacturing Corporation
115 Ricou St. Shreveport, LA USA 71107
T (318) 221-8454 F (318) 222-4106
inferno@infernomfg.com

Drawing No: **A212210**

Drawing Date: 8/30/2021

Revision: 0

Rev Date: N/A

© 2021 Inferno Mfg Corp

Sheet: 1/1